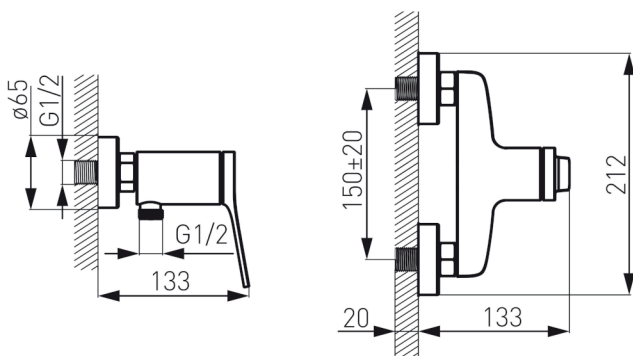
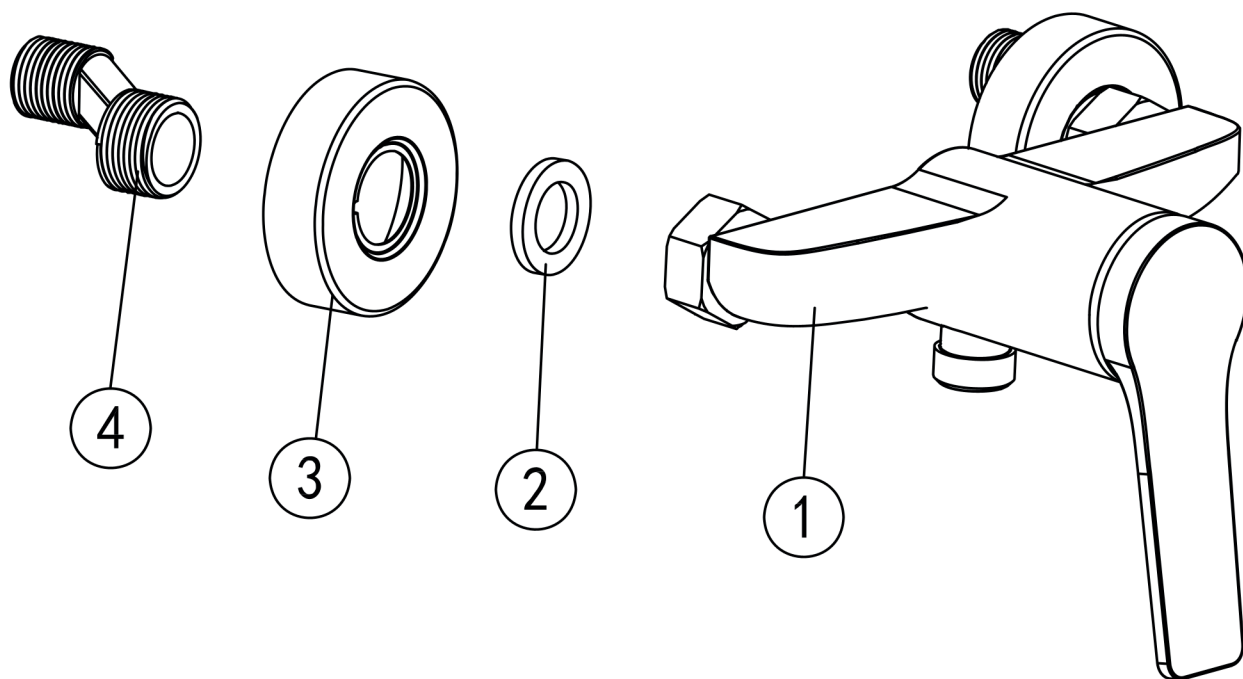


# DESIGN

## SEPPIA



| Code | The Accessory List | Quantity |
|------|--------------------|----------|
| 1    | Main body          | 1        |
| 2    | O-ring             | 2        |
| 3    | Flange             | 2        |
| 4    | Eccentric nut      | 2        |

