

DESIGN

LACRIMA

Installation guide

Two handle pull-down sink mixer

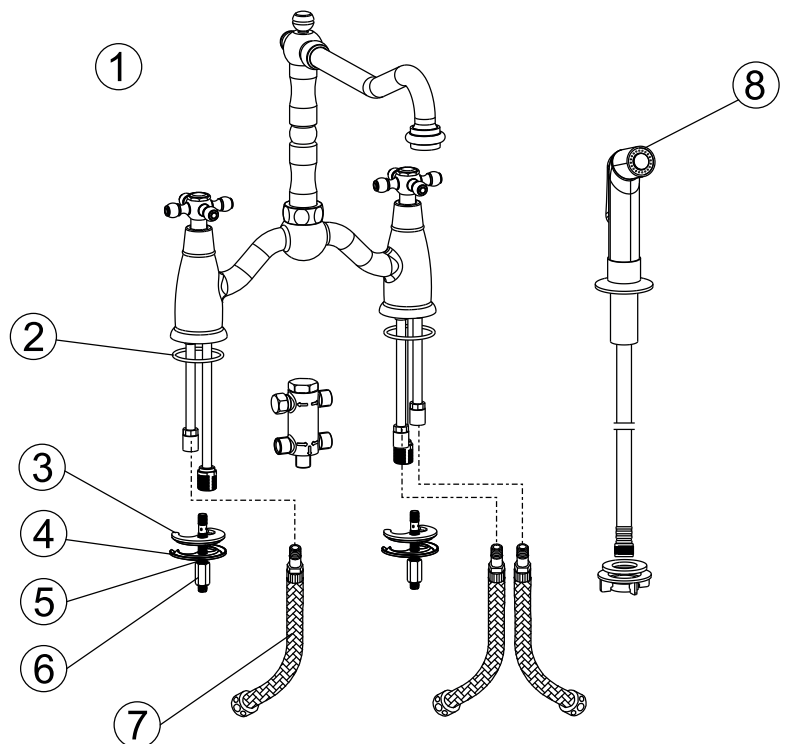
Please check the list of accessories here below and contact our company or our distributor for any discrepancy

Remarks:

1. Accessories may be modified without notice, without affecting their performance;
2. Drawings are for reference only. Product size and shape may not correspond to actual mixer.

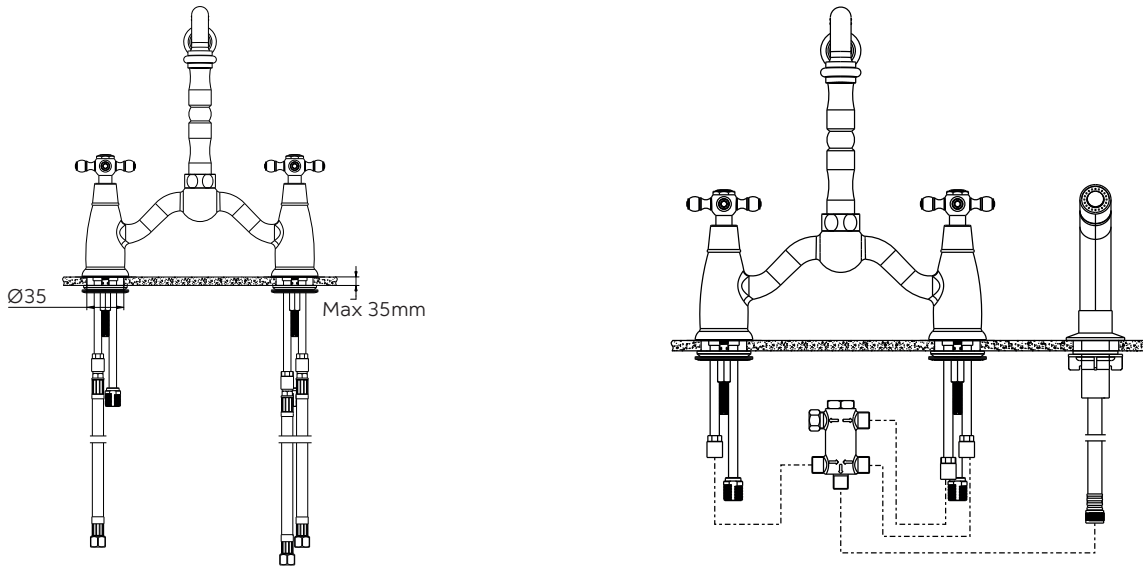
List of the standard accessories:

Part number	Accessory list
1	Main body
2	Wearing ring
3	Rubber washer
4	Clamp
5	Fixing bolt
6	Nut
7	Inlet pipe
8	Sprayer



DESIGN

Assembly sink mixer:



Dimensions:

