

# DESIGN

## LACRIMA

### Installation guide

#### Two handle shower mixer with shower set

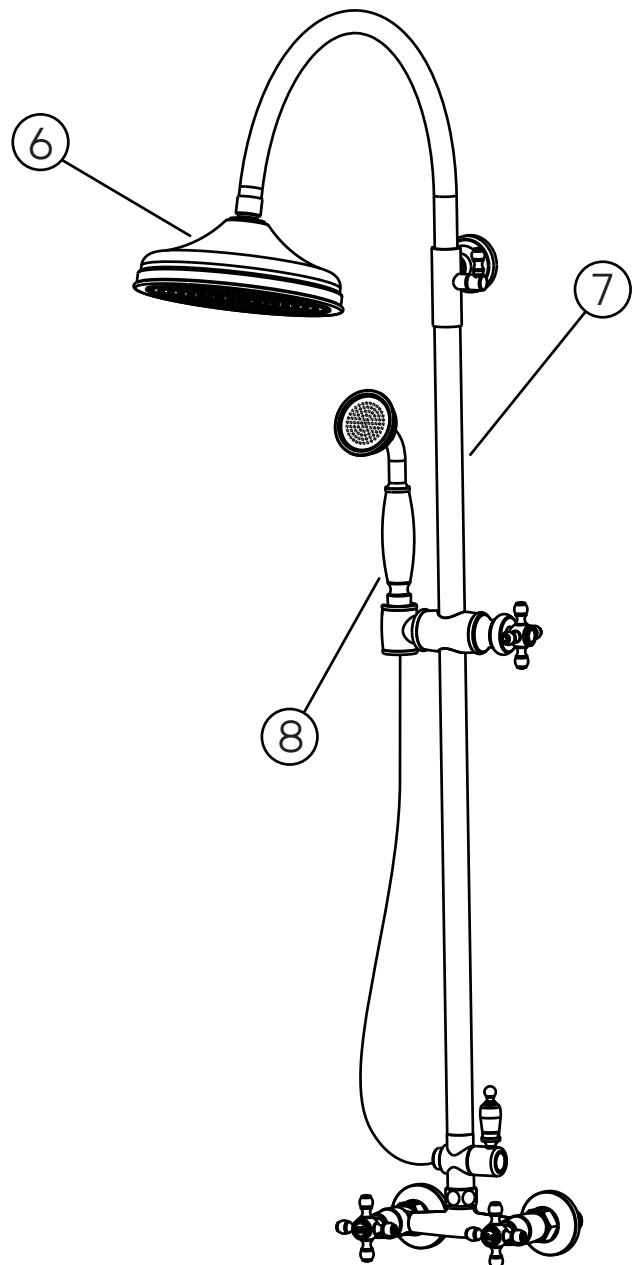
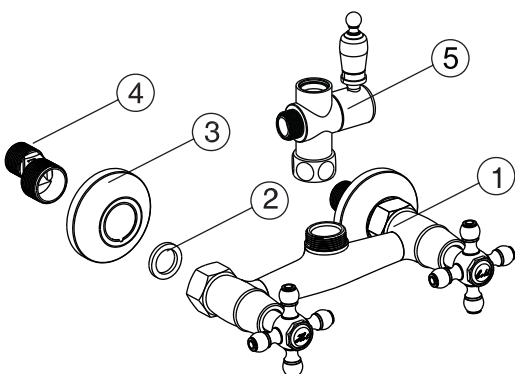
Please check the list of accessories here below and contact our company or our distributor for any discrepancy

Remarks:

1. Accessories may be modified without notice, without affecting their performance;
2. Drawings are for reference only. Product size and shape may not correspond to actual mixer.

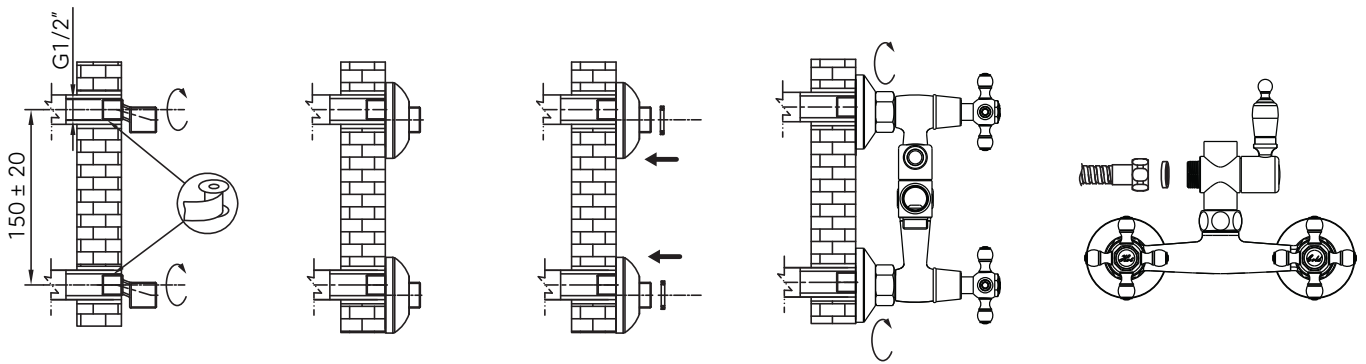
List of the standard accessories:

Part number	Accessory list
1	Main body
2	Flange
3	O-ring
4	Eccentric nut
5	Diverter valve
6	Rain fall head
7	Rod
8	Hand shower



# DESIGN

Assembly shower mixer:



Dimensions:

